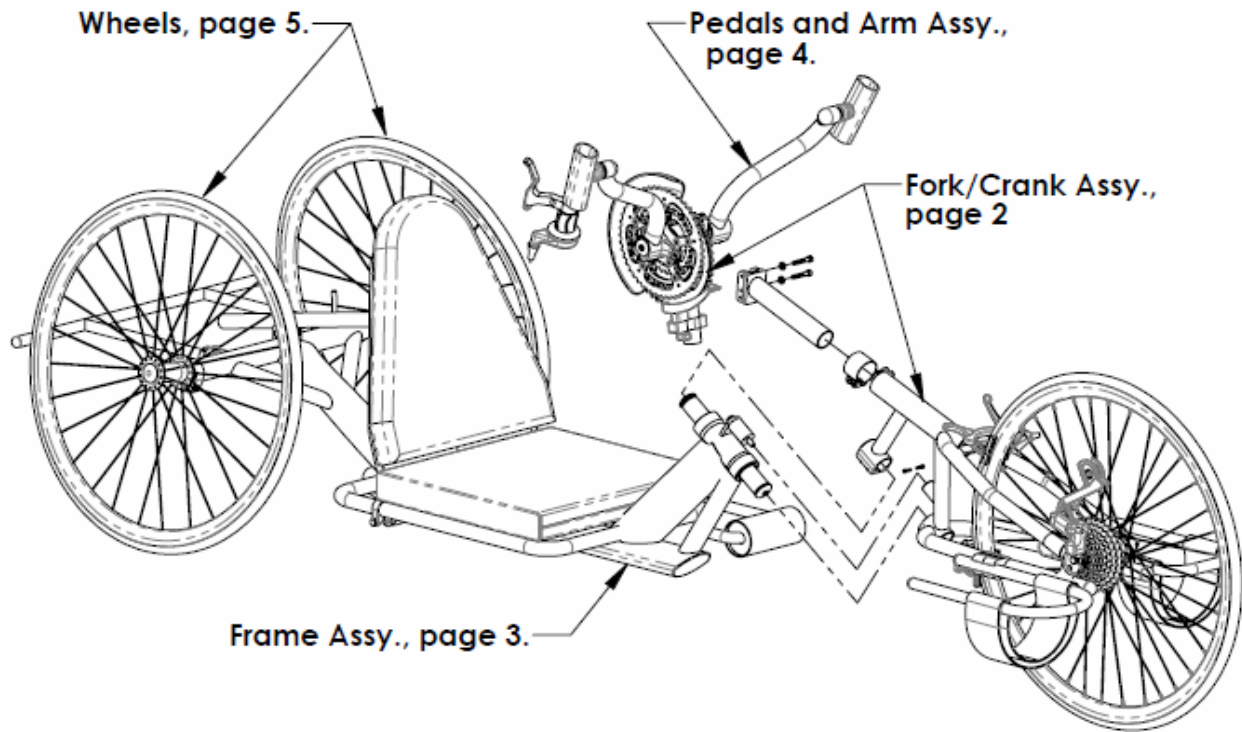




Sports and Recreation Products
4501 63rd Circle North
Pinellas Park, FL 33781
(800) 532-8677 (727) 522-8677
Fax: (727) 522-1007
www.topendwheelchair.com

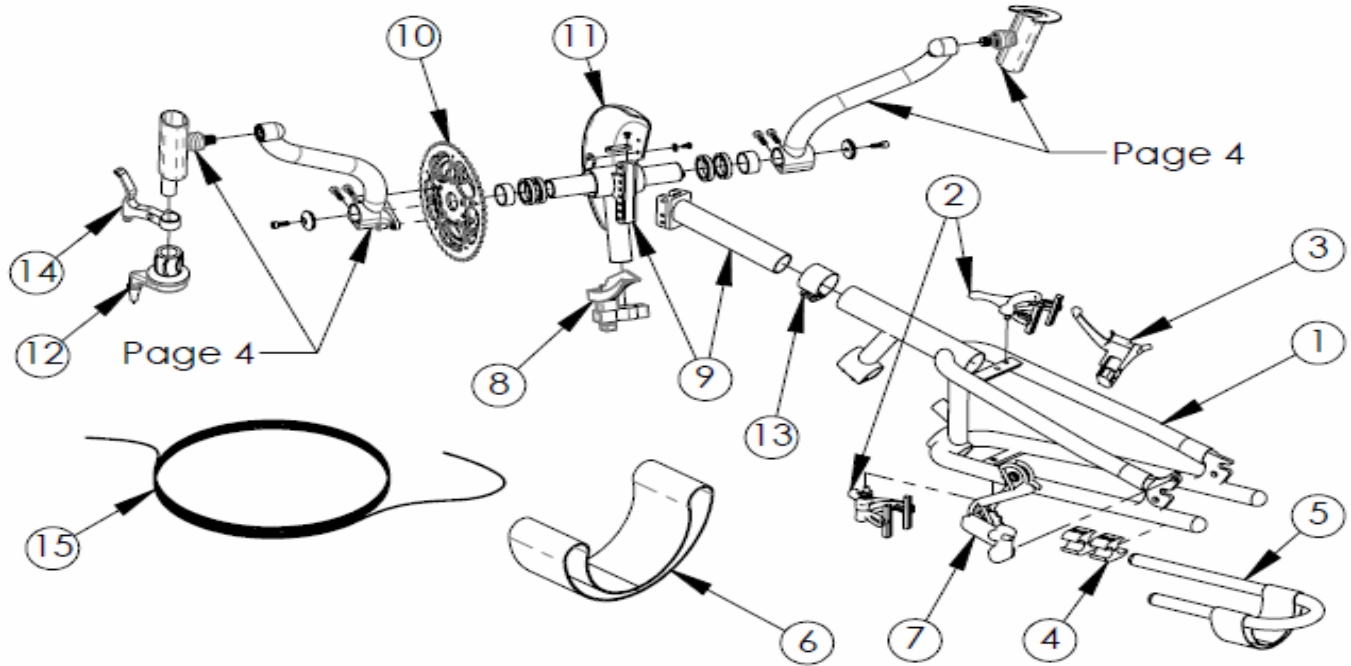
Invacare Top End Parts Catalog Force G





Force G: Fork Assembly

Date:	PO# / Customer#	Ship to <input type="checkbox"/> Customer <input type="checkbox"/> Provider
Provider: _____	Account # _____	Customer: _____
Phone: _____	Fax: _____	Phone: _____
		Top End Sales Order: _____
		Serial #: _____

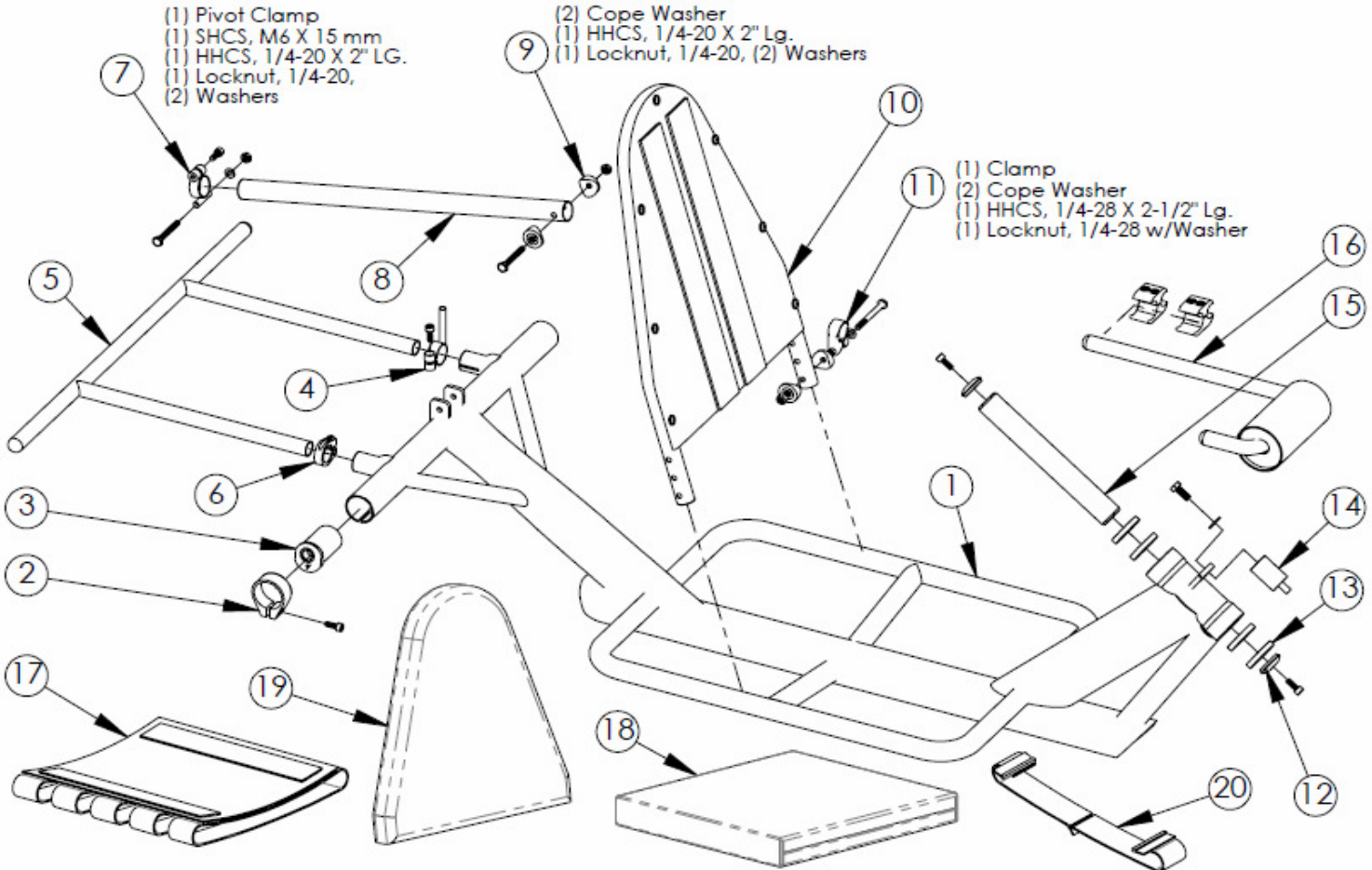


ITEM	PART NUMBER	PER BIKE	DESCRIPTION	QTY.	
1	1166257	1	Fork, Force G (incl: fork, 4 bolts) -Serial# Required- <input type="checkbox"/> Aero <input type="checkbox"/> Wide Style Color _____		EA
2	1127940	2	Brake Caliper for High Performance Tire, 27 Spd, Cane Creek SCR-3		EA
	1156686	1	Brake Caliper, Cane Creek SL with Titanium Hardware		EA
	1166463	2	Replacement Brake Pads for Standard Metal Rim Wheel		PR
	1139823	2	Replacement Brake Pads for Carbon Fiber Rim Wheels		PR
	1156720	1	Disc Brake Caliper		EA
	1156768	1	Disc Brake Rotor for Standard Wheel Only		EA
	1166232	1	Disc Brake Rotor for Corima Wheel Only		EA
	1156769	2	Replacement Pads for Disc Brake		PR
3	1060291	1	Parking Brake Lever		EA
4	1116531	4	Raise Footrest Clamp, 1" to 3/4"		EA
5	1146012	2	Handcycle Leg Support (3/4") w/ Strap <input type="checkbox"/> Right <input type="checkbox"/> Left		EA
6	1060650	2	XLT Footrest Strap		EA
7	1054246	1	Shimano XT Derailer (Front Wheel)		EA
	1156681	1	Sram X.O Derailer		EA
8	1139745	1	Manual Derailleur Assembly (incl: derailleur, lever, and hardware)		EA
9	1153055	1	Crank Assembly Diagonal and Vertical Adjustment		EA
	1153311	1	Spindle, Bottom Bracket, Spindle Length: <input type="checkbox"/> 6.75" <input type="checkbox"/> 7.25"		EA
	1145951	2	Cap, Spindle (With SHCS, M6 x 16mm)		EA
	1127921	4	Bearing, Bottom Bracket 30mm x 42 x 7		EA
10	1127941	1	Chainring Asm, 48-40-24		EA
	1139806	1	Chainring Asm, 53-40-28		EA
	1057052	1	Standard Chain, (Ref. to Chainring Assy.)		EA
	1156685	1	Chain, Hollow Pin, SRAM (includes 2 packages)		EA
11	1156773	1	Chainring Guard, Solid		EA
12	1127946	1	RapidFire Shifter/Brake Lever RH, 27 speed		EA
	1156682	1	SRAM X.O Grip/twist shifter (compatible only with SRAM Front Wheel Derailer)		EA
	1156683	1	SRAM X.O Trigger shifter (compatible only with SRAM Front Wheel Derailer)		EA
13	1166489	1	1-3/8" Clamp		EA
14	1166474	1	Brake lever		EA
15	1146014	1	Cable and Housing, for Parking Brake		EA
	1146015	1	Cable and Housing, for Hand Brake		EA
	1146016	1	Cable and Housing for Shifter (Indicate Shifter Type)		EA



Force G: Frame Assembly

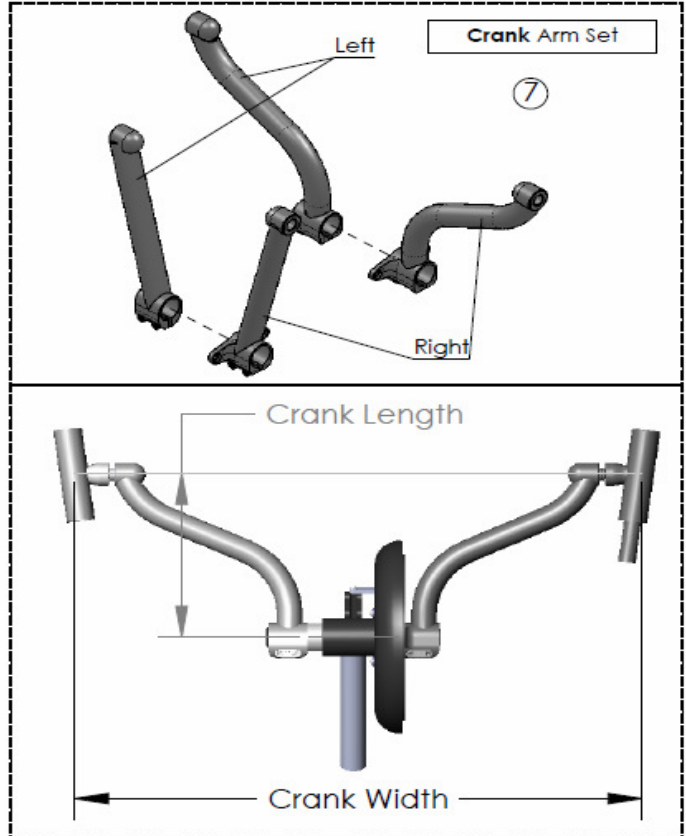
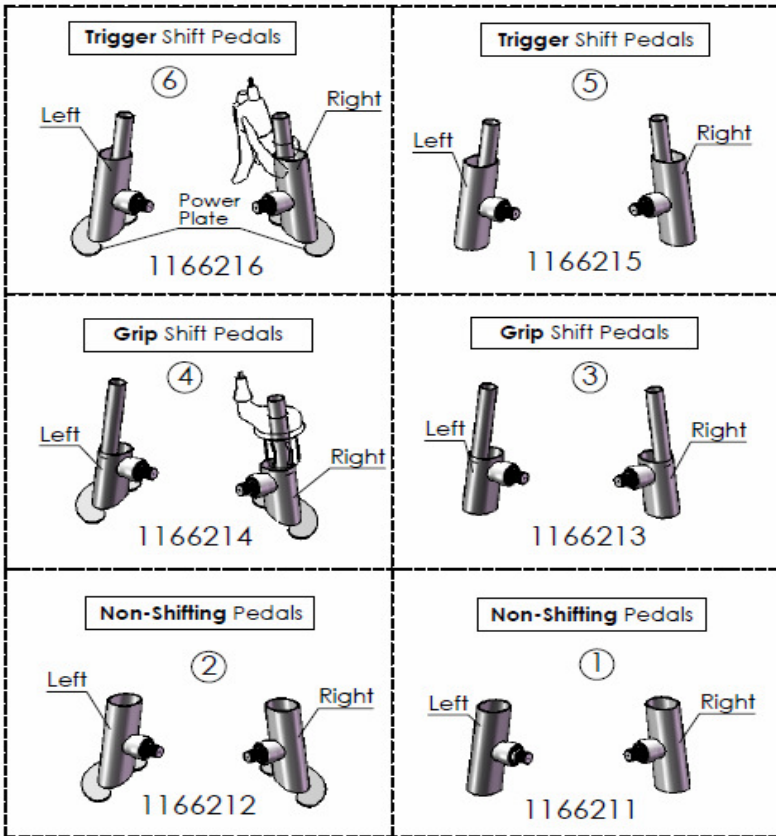
Date:	PO# / Customer#	Ship to <input type="checkbox"/> Customer <input type="checkbox"/> Provider	
Provider:	Account #	Customer:	Top End Sales Order:
Phone:	Fax:	Phone:	Serial #:



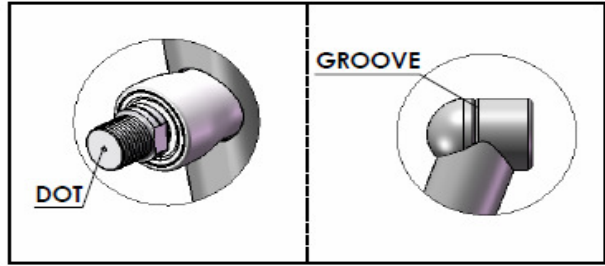
ITEM	PART NUMBER	PER BIKE	DESCRIPTION	QTY.
1	1166256	1	Frame, Force G Serial # Required: -Wheel Base: <input type="checkbox"/> 60" <input type="checkbox"/> 57" -Seat Width: <input type="checkbox"/> 14" <input type="checkbox"/> 15" <input type="checkbox"/> 16" <input type="checkbox"/> 17" <input type="checkbox"/> 18"	EA
2	1060882	2	Camber Clamp (with screw)	EA
3	1061179	2	Camber Insert, Threaded Axle <input type="checkbox"/> 3degree <input type="checkbox"/> 9degree	EA
4	1156741	1	Safety flag holder	EA
5	1146002	1	Drafting Bumper (includes 2 plugs)	EA
	1139803	2	Plug, 3/4" Black Dome	EA
6	1139810	1	Clamp, 1" Alloy, single screw	EA
7	1153145	1	Pivot Clamp with hardware	EA
8	1145958	1	Adjustable Back Support Tube	EA
9	1146019	1	Hardware, Upper Adjustable Back Support Tube	EA
10	1166254	1	Backrest, Force G Serial # Required: -Seat Width: <input type="checkbox"/> 14" <input type="checkbox"/> 15" <input type="checkbox"/> 16" <input type="checkbox"/> 17" <input type="checkbox"/> 18"	EA
11	1146022	1	Hardware, Lower Backrest (Set of 2 Assemblies)	PR
12	1145951	2	Cap, Spindle with M6 x 15 mm Long Screws	EA
13	1127921	4	Bearing	EA
14	1146018	1	Dampner with hardware, (HHCS, 5/16-18 x 3/4" Lg.)	EA
15	1146023	1	Headset Shaft Assembly (10-1/2" Long) Include 2 Star Nut	EA
16	1153194	1	Amputee Leg Rest Assembly	EA
17	1127963	1	Seat Upholstery Seat Width: <input type="checkbox"/> 14 <input type="checkbox"/> 15 <input type="checkbox"/> 16 <input type="checkbox"/> 17 <input type="checkbox"/> 18 <input type="checkbox"/> Black <input type="checkbox"/> Camouflage	EA
18	1166508	1	Seat Cushion Seat Width: <input type="checkbox"/> 14 <input type="checkbox"/> 15 <input type="checkbox"/> 16 <input type="checkbox"/> 17 <input type="checkbox"/> 18 <input type="checkbox"/> Black <input type="checkbox"/> Camouflage	EA
19	1166509	1	Back Cushion Seat Width: <input type="checkbox"/> 14 <input type="checkbox"/> 15 <input type="checkbox"/> 16 <input type="checkbox"/> 17 <input type="checkbox"/> 18 <input type="checkbox"/> Black <input type="checkbox"/> Camouflage	EA
20	1109772	1	Seat Belt Seat Width: <input type="checkbox"/> 14 <input type="checkbox"/> 15 <input type="checkbox"/> 16 <input type="checkbox"/> 17 <input type="checkbox"/> 18	EA



Date: _____		PO# / Customer# _____		Ship to <input type="checkbox"/> Customer <input type="checkbox"/> Provider	
Provider: _____ Account # _____			Customer: _____		
Phone: _____ Fax: _____			Phone: _____		
				Top End Sales Order: _____	
				Serial #: _____	



All Production prior to July 19,2010, consult with customer services



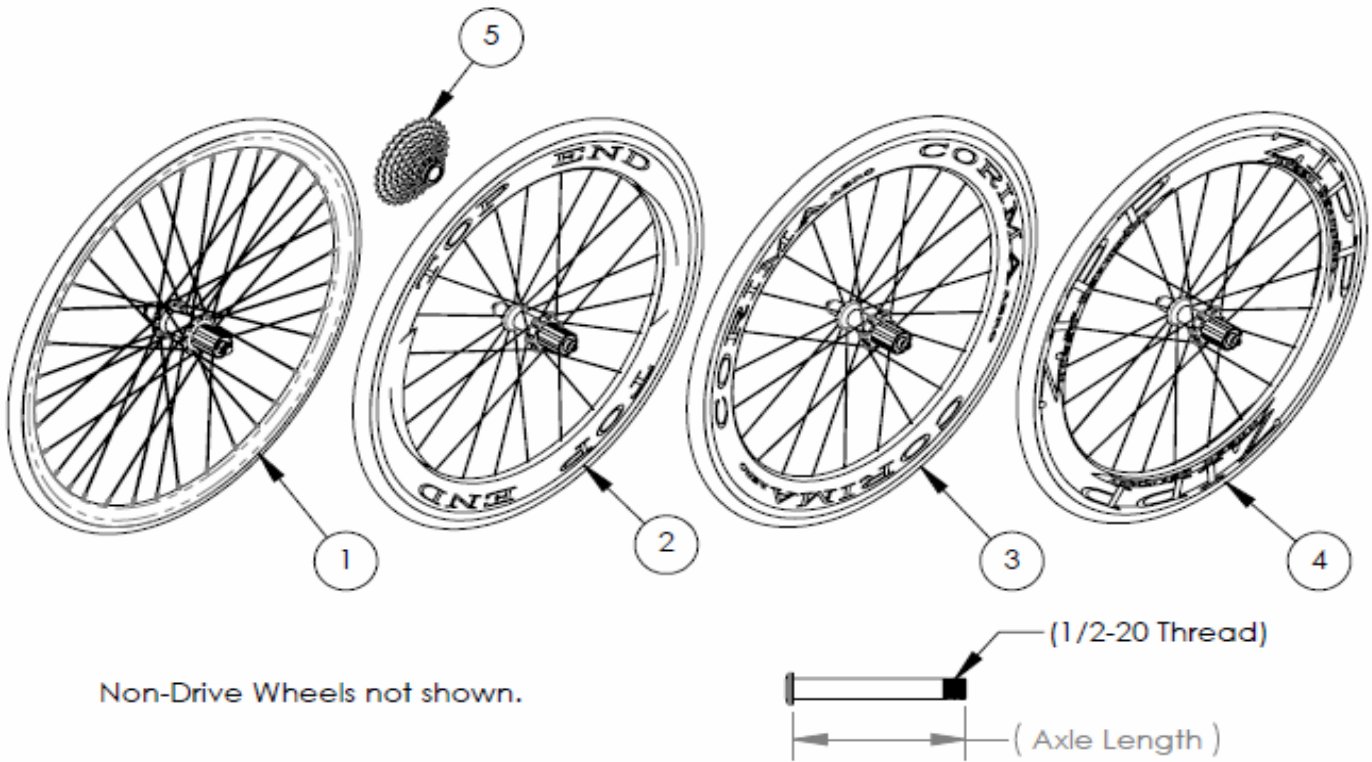
All Threads: 9/16-20

ITEM	PART NUMBER	PER BIKE	Pedals and Cranks <i>after</i> July 19, 2010				QTY.	
Produced <i>after</i> July 19,2010 (Dot? YES)			Pedal Size		Bike Serial #	R or L	Dot?	
1	1166211	1	Handpedal, Non-Shifting	<input type="checkbox"/> Lg <input type="checkbox"/> Med <input type="checkbox"/> Sm		<input type="checkbox"/> R <input type="checkbox"/> L	Yes	EA
2	1166212	1	Handpedal w/ Power Plate, Non-Shifting	<input type="checkbox"/> Lg <input type="checkbox"/> Med <input type="checkbox"/> Sm		<input type="checkbox"/> R <input type="checkbox"/> L	Yes	EA
3	1166213	1	Handpedal, Grip Shift	<input type="checkbox"/> Lg <input type="checkbox"/> Med <input type="checkbox"/> Sm		<input type="checkbox"/> R <input type="checkbox"/> L	Yes	EA
4	1166214	1	Handpedal w/ Power Plate, Grip Shifting	<input type="checkbox"/> Lg <input type="checkbox"/> Med <input type="checkbox"/> Sm		<input type="checkbox"/> R <input type="checkbox"/> L	Yes	EA
5	1166215	1	Handpedal, Trigger Shift	<input type="checkbox"/> Lg <input type="checkbox"/> Med <input type="checkbox"/> Sm		<input type="checkbox"/> R <input type="checkbox"/> L	Yes	EA
6	1166216	1	Handpedal w/ Power Plate, Trigger Shift	<input type="checkbox"/> Lg <input type="checkbox"/> Med <input type="checkbox"/> Sm		<input type="checkbox"/> R <input type="checkbox"/> L	Yes	EA
Produced <i>after</i> July 19,2010 (Groove? YES)			Bike Serial #	Crank Length (mm)	Crank Width (in)	Groove?		
7	1166282	1	S-Crank Arm, Set	<input type="checkbox"/> 200 <input type="checkbox"/> 210	<input type="checkbox"/> 22 <input type="checkbox"/> 24	Yes		PR
	1166217	1	V-Crank Arm, Set	<input type="checkbox"/> 180 <input type="checkbox"/> 190	<input type="checkbox"/> 20	Yes		PR



Force G: Wheels Assembly

Date:	PO# / Customer#	Ship to <input type="checkbox"/> Customer <input type="checkbox"/> Provider
Provider: _____	Account # _____	Customer: _____
Phone: _____	Fax: _____	Phone: _____
		Top End Sales Order: _____
		Serial #: _____



Non-Drive Wheels not shown.

ITEM	PART NUMBER	PER BIKE	DESCRIPTION	QTY.
1	1156776	1	26 In. (571) High Performance Front Wheel (Drive), (Clincher Only) Alex Black Spoke	EA
	1156736	2	26 In. (571) High Performance Front Wheel (Drive), (Clincher Only) Alex Black Spoke, Disk Brake Compatible	EA
	1156778	2	26 In. (571) High Performance Rear Wheel (Non-Drive), (Clincher Only) Alex Black Spoke (Axle not Included)	EA
	1166462	2	Threaded Axle, Standard Non-Drive (3.3") Alex	EA
2	1166260	1	26 In. (571) Top End Carbon Fiber Front Wheel (Drive), Tubular	EA
	1166261	2	26 In. (571) Top End Carbon Fiber Rear Wheel (Non-Drive), Tubular (Axle not Included)	EA
	1166246	2	Threaded Axle, Carbon Fiber Non-Drive (4.3")	EA
3	1156724	1	26 In. (571) Corima AERO, Front wheel assembly, (Tubular Only)	EA
	1156771	2	26 In. (571) Corima AERO Front wheel assembly, Disc brake Compatible (Tubular Only)	EA
	1156725	2	26 In. (571) Corima AERO w/threaded axle, Rear wheel assembly, (Tubular Only) Built in Axle	EA
4	1146009	1	26 In. (571) 404 Zipp Front Wheel (Drive), <input type="checkbox"/> Tubular <input type="checkbox"/> Clincher	EA
	1146010	2	26 In. (571) 404 Zipp Rear Wheel (Non-Drive) with Axle <input type="checkbox"/> Tubular <input type="checkbox"/> Clincher	EA
	1059495	1	Threaded Axle Kit, 404 Zipp Non-drive), <input type="checkbox"/> Before Feb 2011 <input type="checkbox"/> After Feb 2011	PR
5	1156688	1	SRAM Cassette, 11-23	EA
	1156689	1	SRAM Cassette, 11-26	EA
	1156711	1	SRAM Cassette, 11-34 (Standard)	EA
	1060149	3	Tire 26" Hi-Performance Clincher	EA
	1156680	3	Tire, 26" Continental Grand Prix 4000 clincher	EA
	1060160	3	Tube 26" (Hi-Performance), Standard Stem	EA
	1139820	3	Tube 26" (Hi-Performance), Long Stem (Zipp only)	EA
	1061213	3	26 In. Rim Strip	EA
	RACE36	3	Tire, Tubular Tufo S3 Lite	EA
	RACE31	3	Tire, Tubular Tufo Jet Special	EA
	1166472	3	Tire, 26" Continental Sprinter, Tubular	EA

2.6