



# Picnic Table

<b>Assessment Start Time</b>	
<b>Map Location</b>	<b>#3 Corner</b>
<b>No. of tables in area</b>	1
<b>Table I.D.</b>	2
<b>Table Fixed?</b>	Y      N

## Perimeter Chart

# Picnic Table

**Number of Wheelchair Spaces required per table.**

Table perimeter

Less than 25' = 1 space (Typical 9' table)

25' to 44' = 2 spaces (Typical 10' to 18' table)

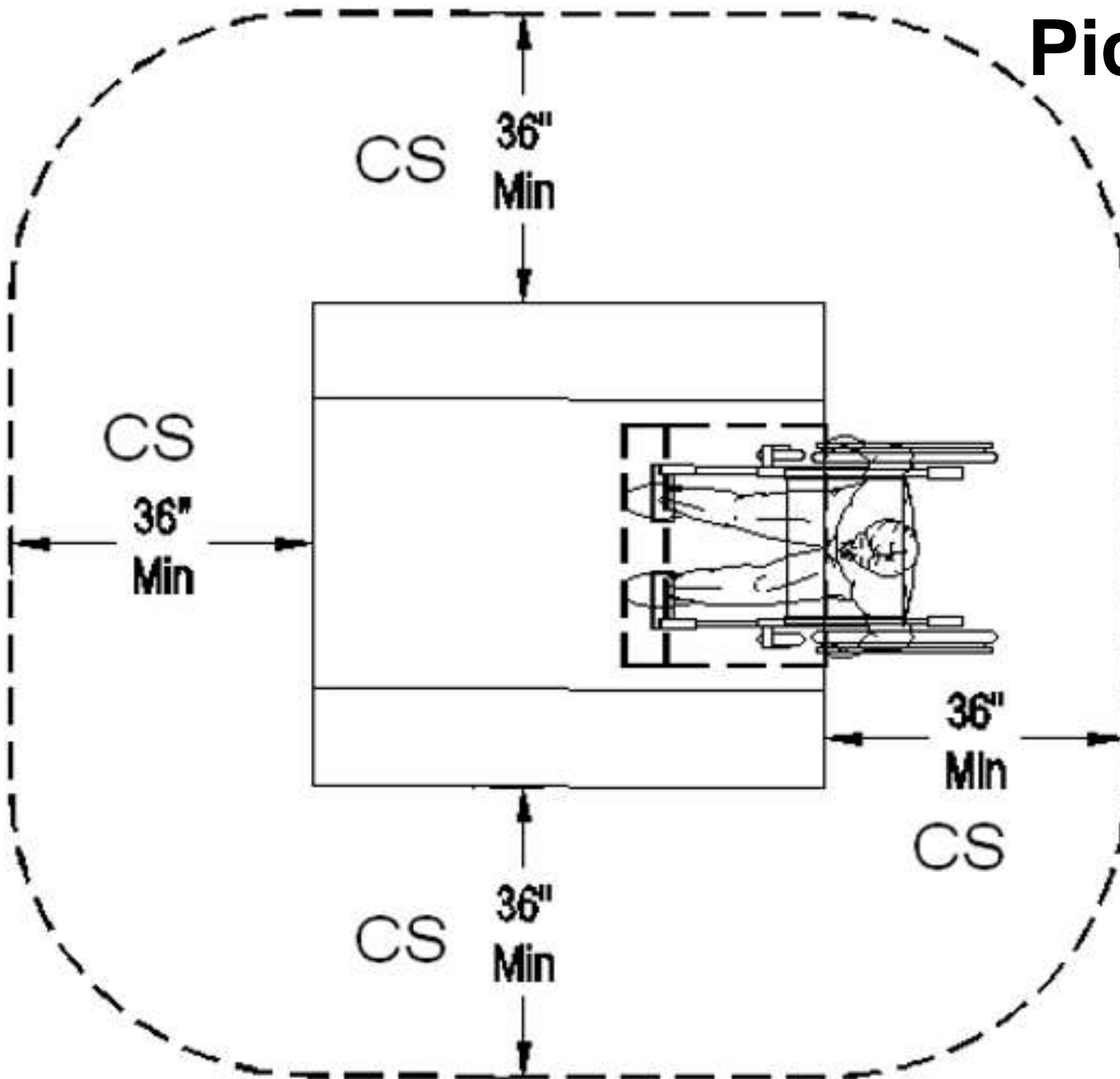
45' to 64' = 3 spaces

65' to 84' = 4 spaces

85' to 104' = 5 spaces

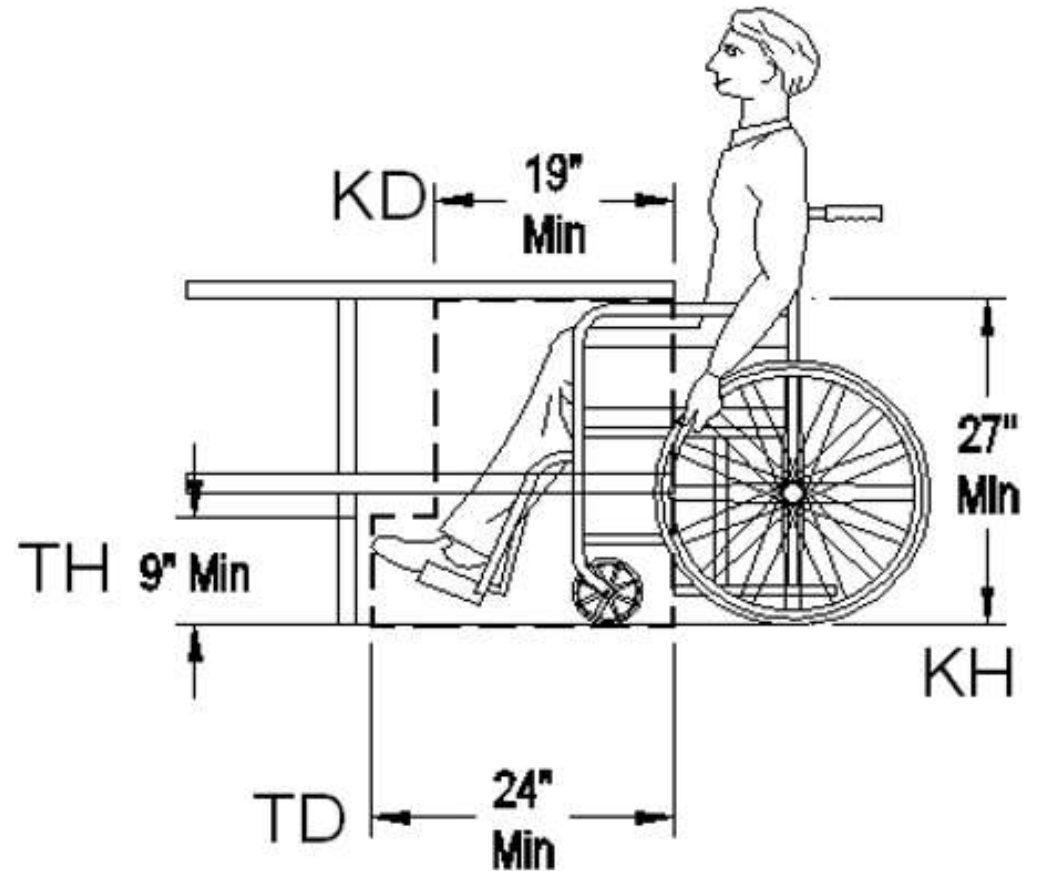
<b>Table Top Perimeter</b>	
<i>Round:</i> Circumference	ft
<i>Rectangular:</i>	
Table Top Length	ft
Table Top Width	ft
Table Top Perimeter ( $2L+2W=P$ )	ft
Accessible Spaces Required	

# Picnic Table



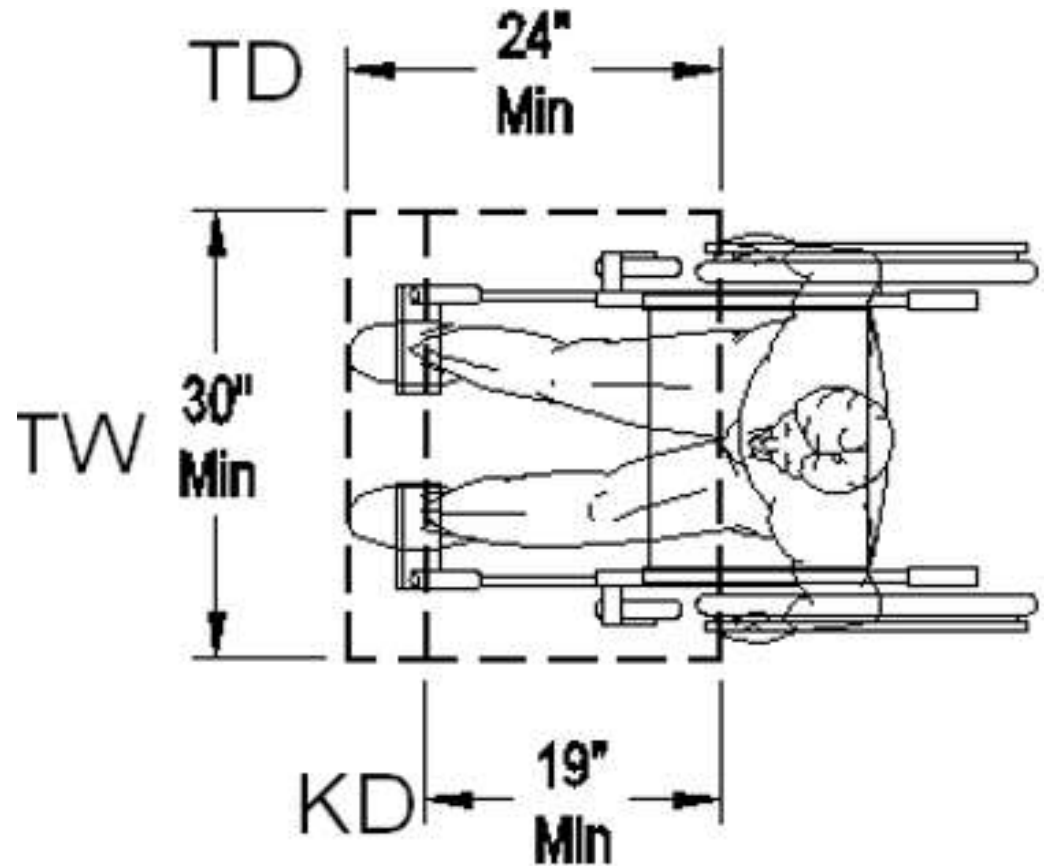
# Picnic Table

Clearance Space		
	Min	Actual
TW (Total Width)	30 in	in
KD (Knee Depth)	19 in	in
KH (Knee Height)	27 in	in
TD (Toe Depth)	24 in	in
TH (Toe Height)	9 in	in
Accessible Spaces Available		
Perimeter Clear	Y	N



# Picnic Table

Clearance Space		
	Min	Actual
TW (Total Width)	30 in	in
KD (Knee Depth)	19 in	in
KH (Knee Height)	27 in	in
TD (Toe Depth)	24 in	in
TH (Toe Height)	9 in	in
Accessible Spaces Available		
<b>Perimeter Clear</b>	Y	N



# Picnic Table

<b>Ground Surface Measurement</b>			
Surface Type			
Firmness		Y	N
Stability		Y	N
Slope	< 2% paved	Y	N
	< 3% unpaved		
<b>Assessment End Time</b>			







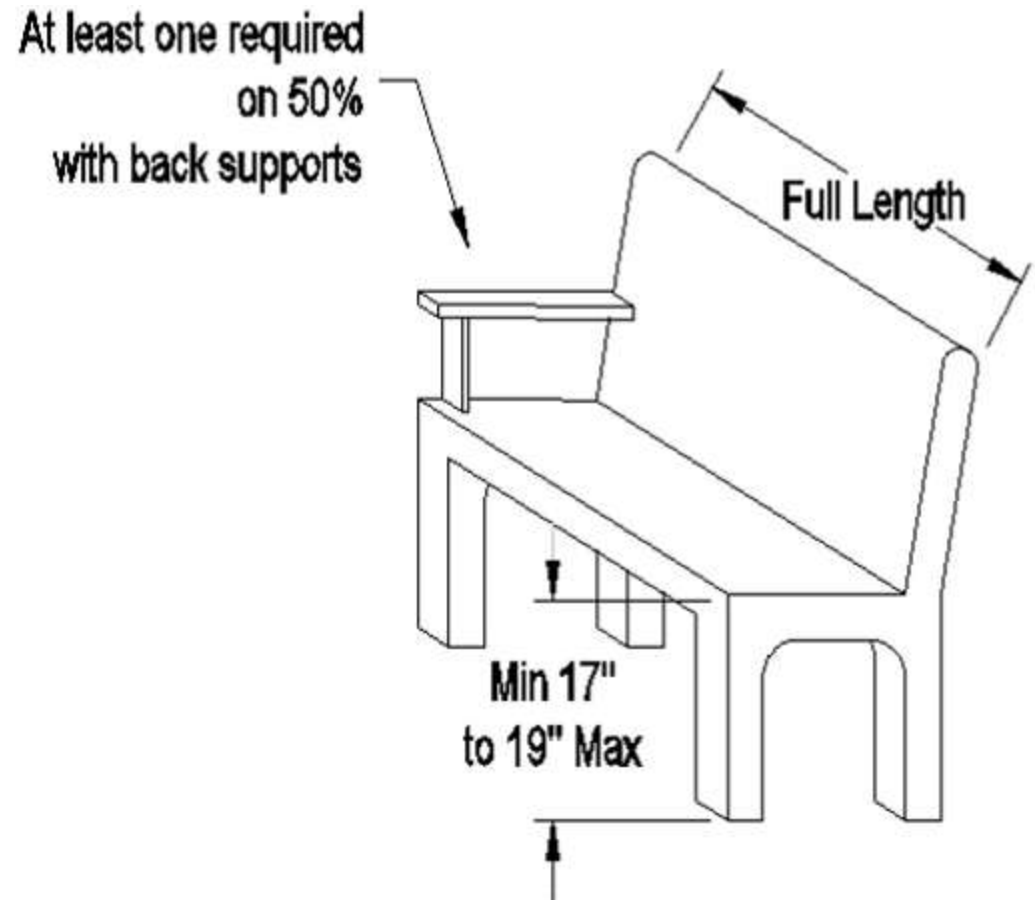






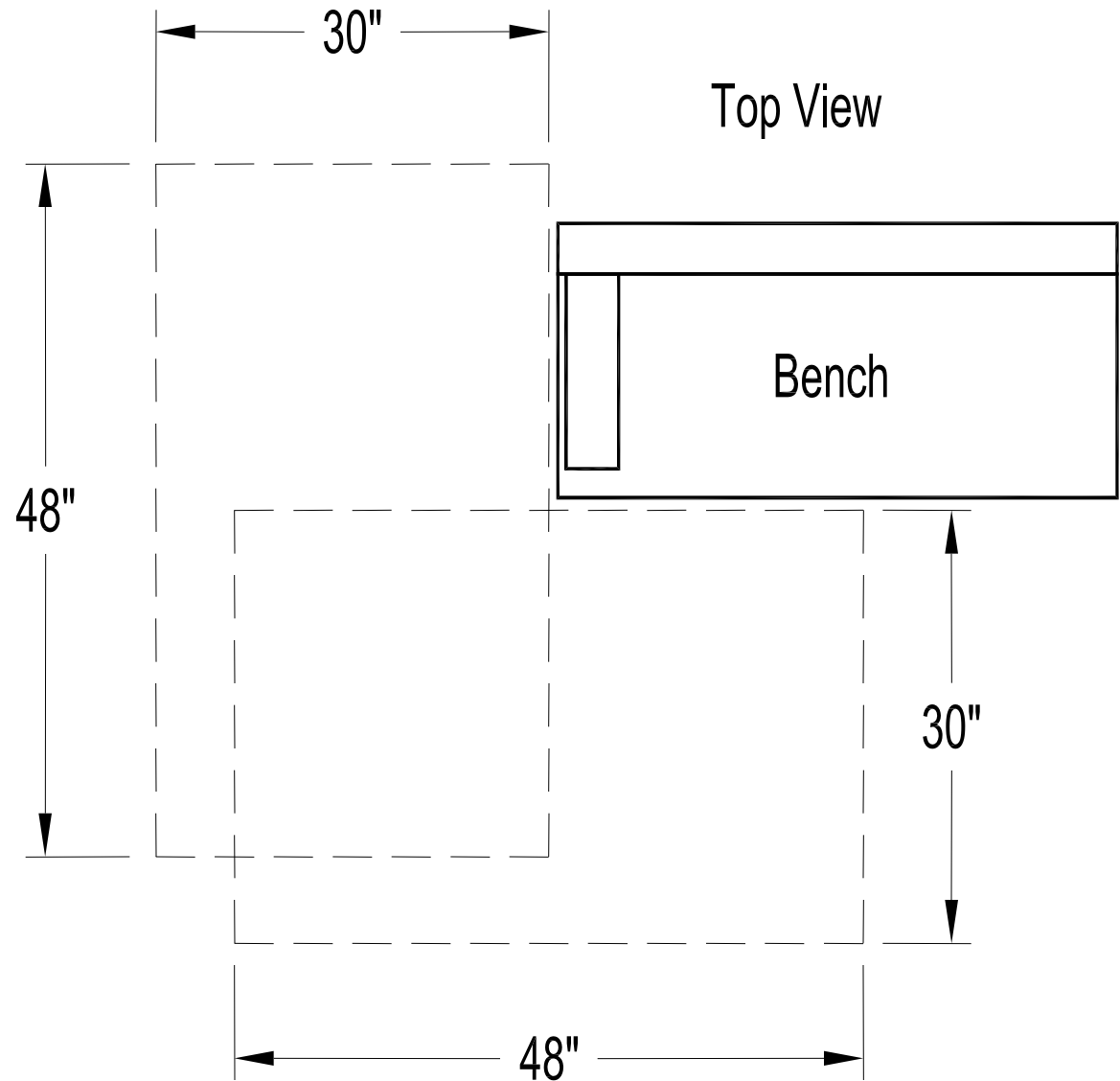
# Bench

**What is the height of the seat at the front edge above the ground?  
(Must be between 17" and 19")**



# Bench

**Is there a clear space of 30" x 48" in front of or beside the bench? (This clear space may not overlap ORAR or other clear spaces)**





# Shower

