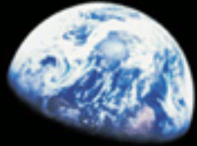
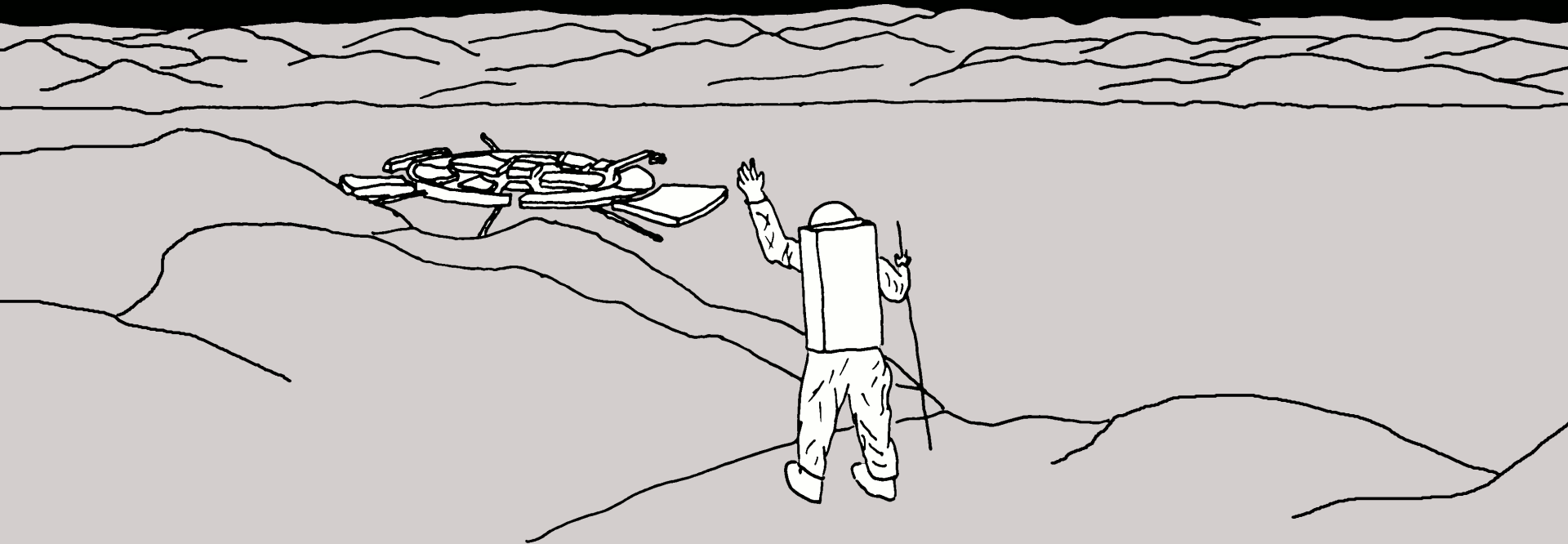


The Crime of Reason



Robert B. Laughlin

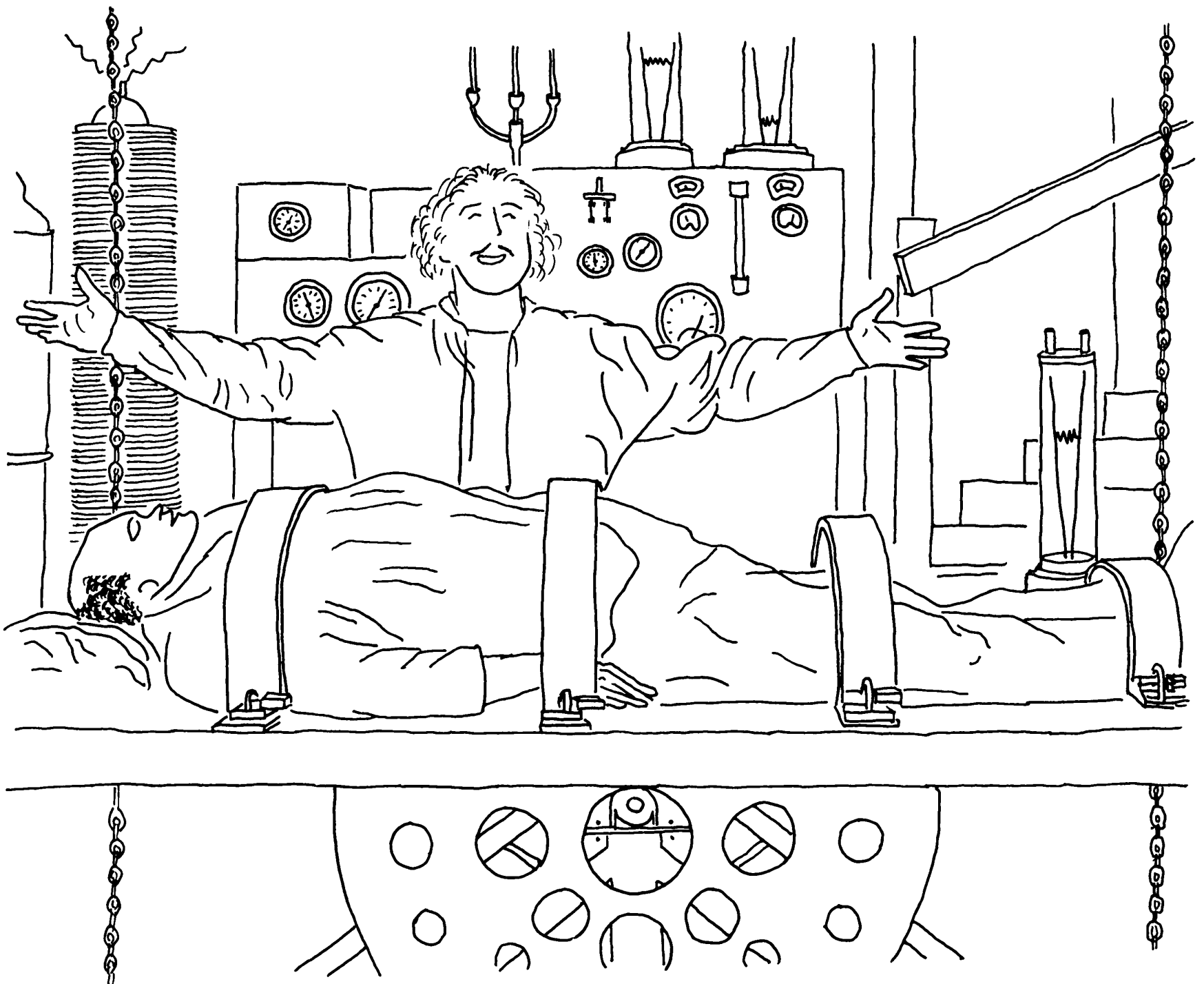


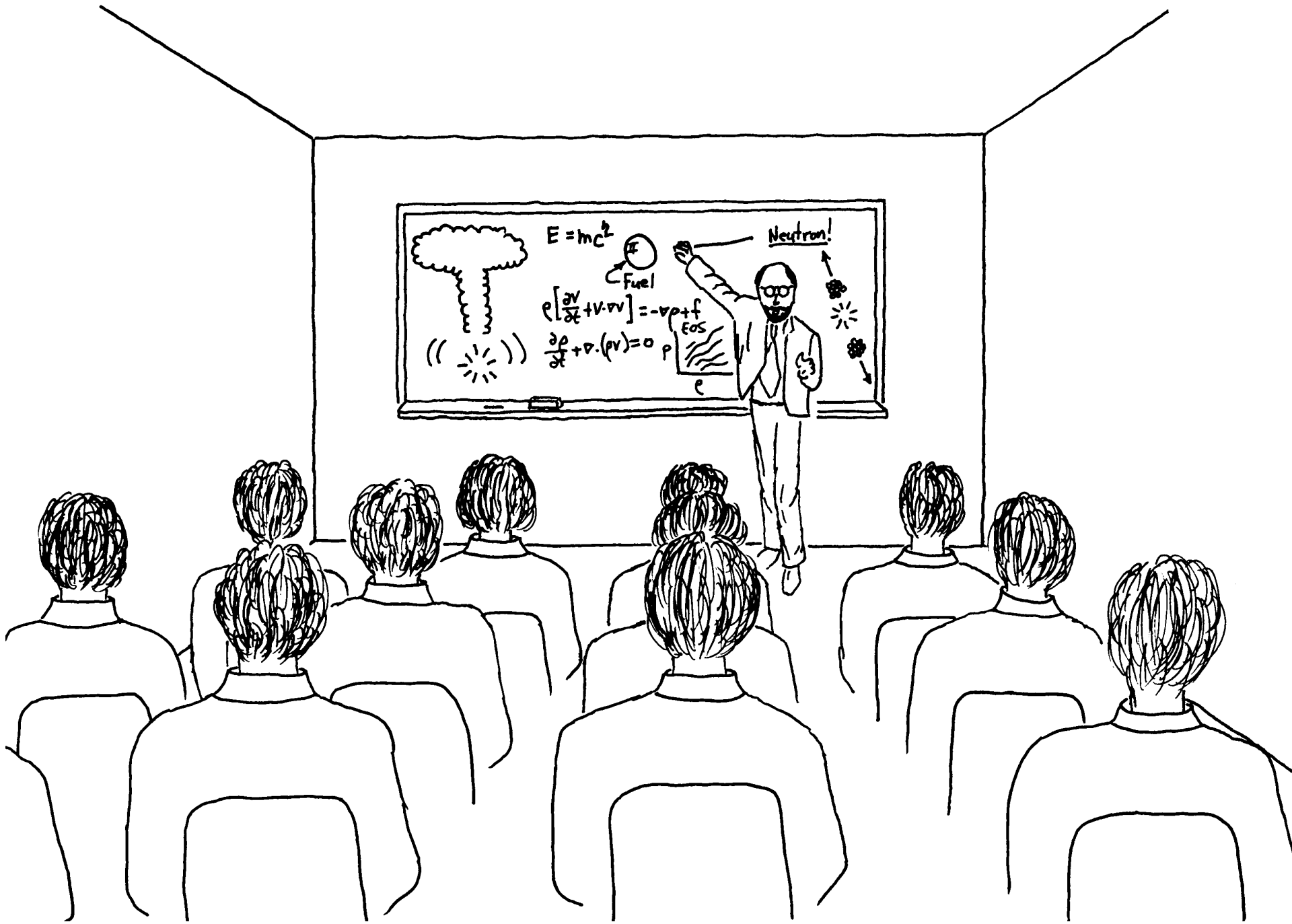




The only good is knowledge and the only evil ignorance.

有知識就是好，無知就是不好。





$E=mc^2$

Fuel

Neutron!

$\rho \left[\frac{\partial v}{\partial t} + v \cdot \nabla v \right] = -\nabla p + f$

EoS

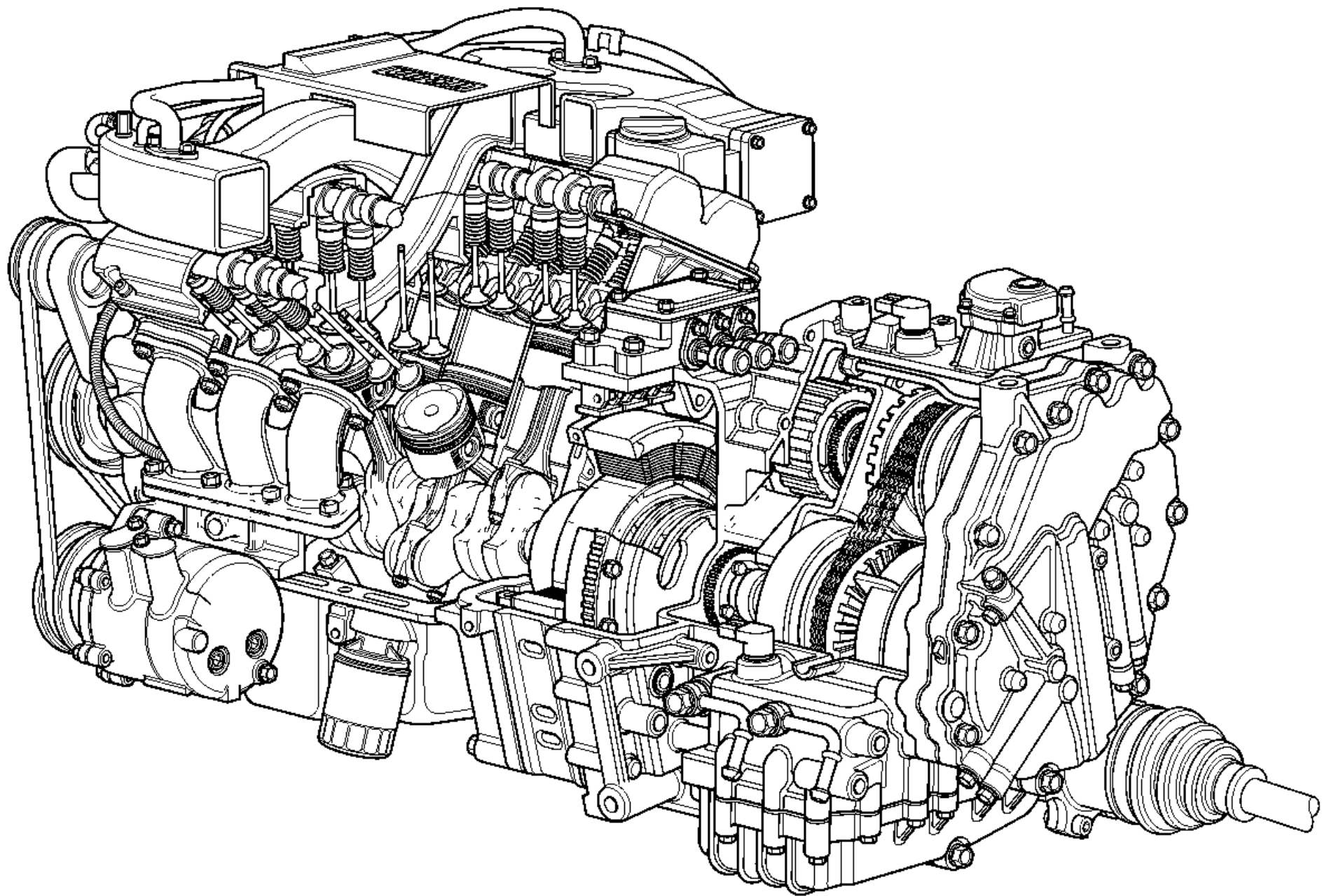
$\frac{\partial \rho}{\partial t} + \nabla \cdot (\rho v) = 0$

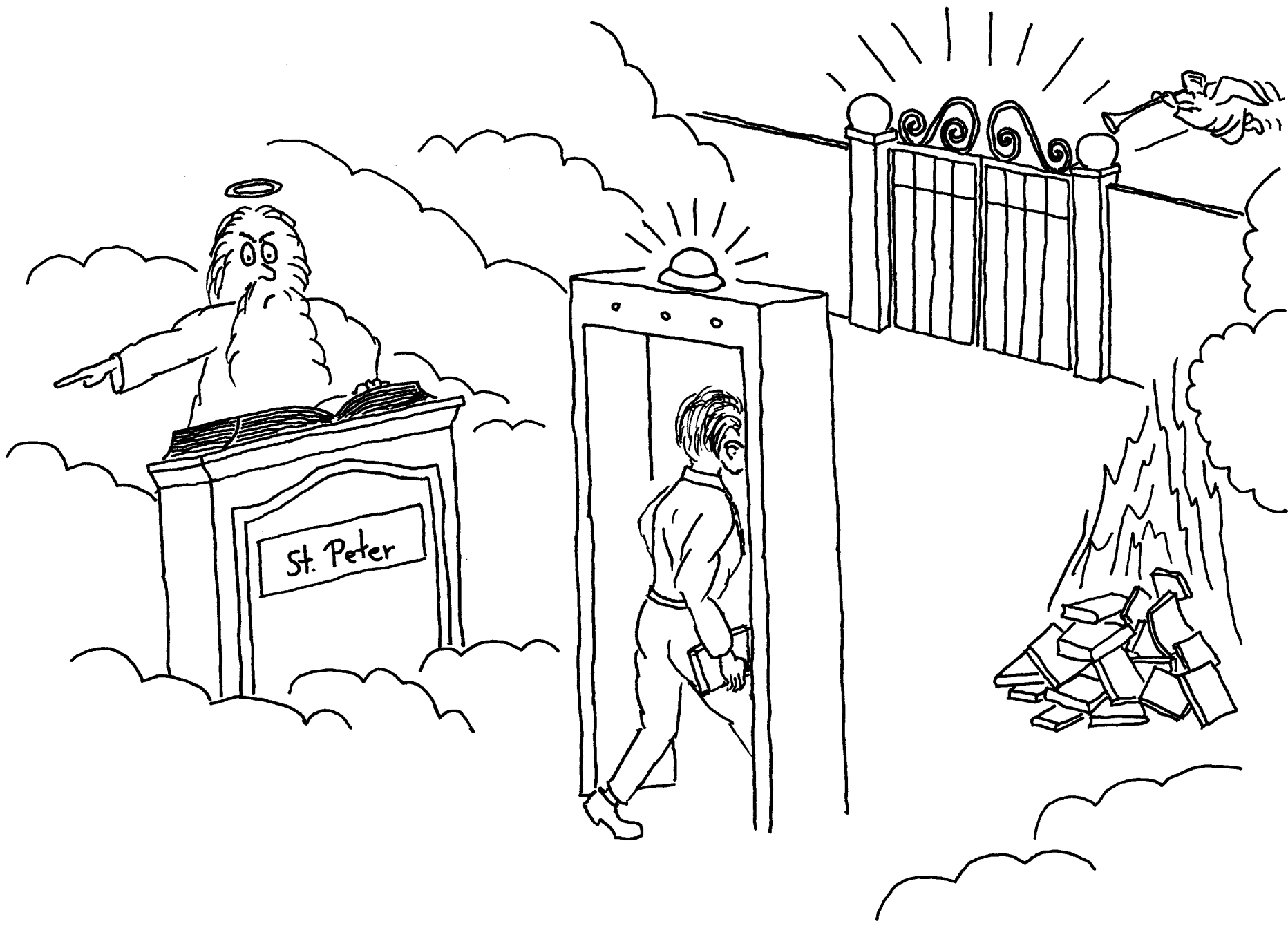
ρ

c









St. Peter

THE PROGRESSIVE

November 1979 \$1.50



The H-bomb secret

How we got it—
why we're telling it

